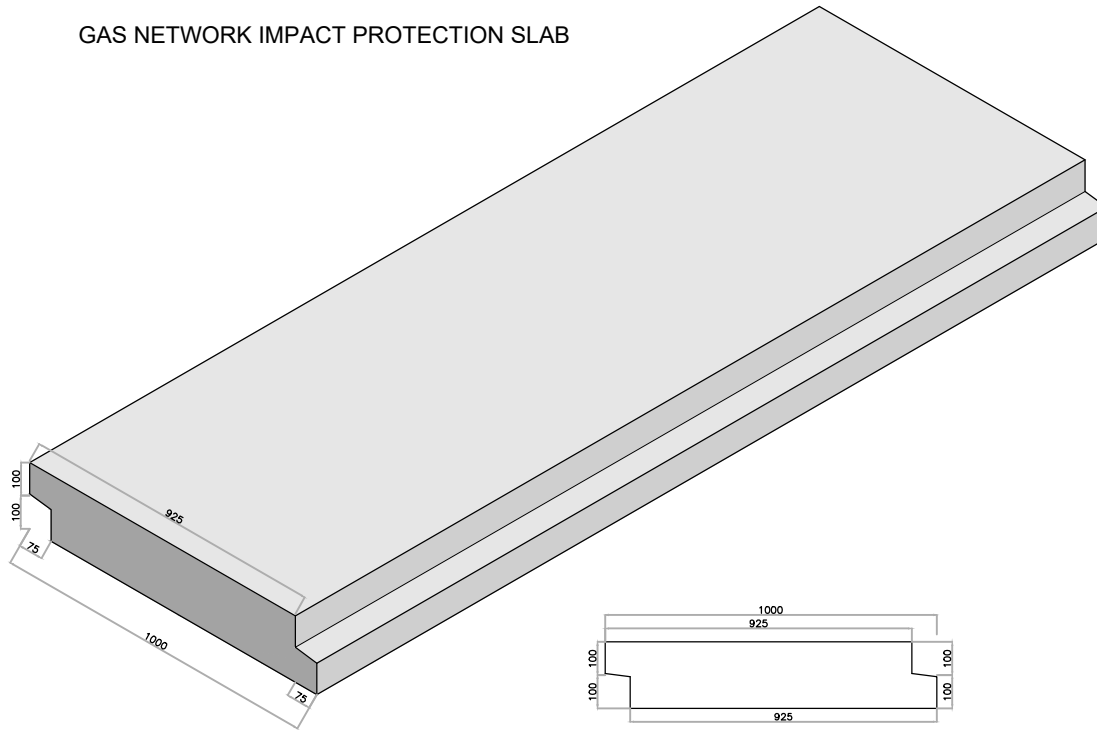


GAS NETWORK IMPACT PROTECTION SLAB



DITCH / WATERCOURSE MARKER SLAB

