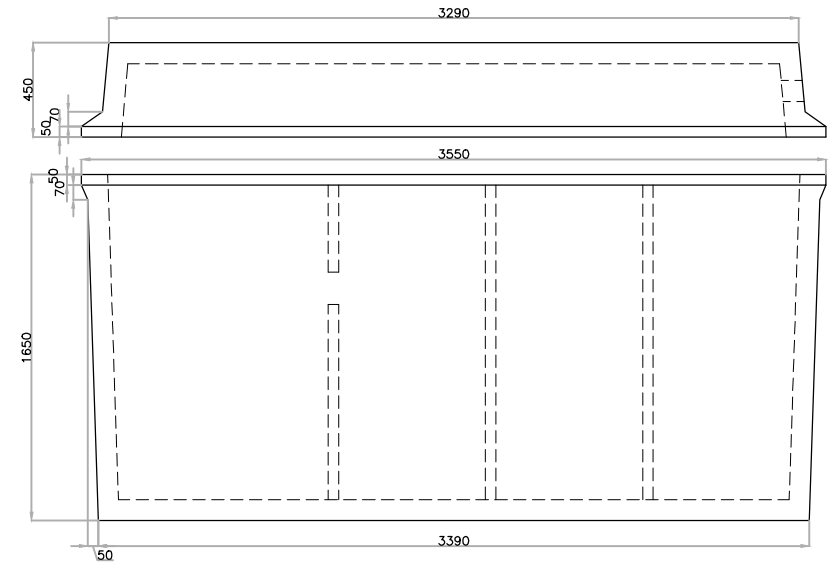
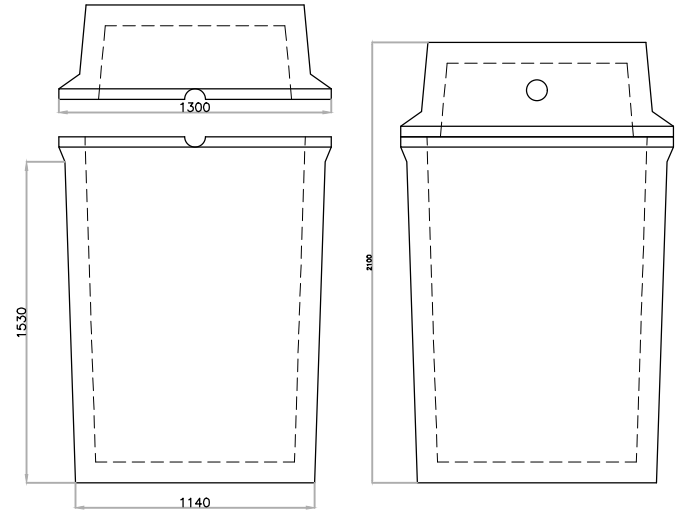
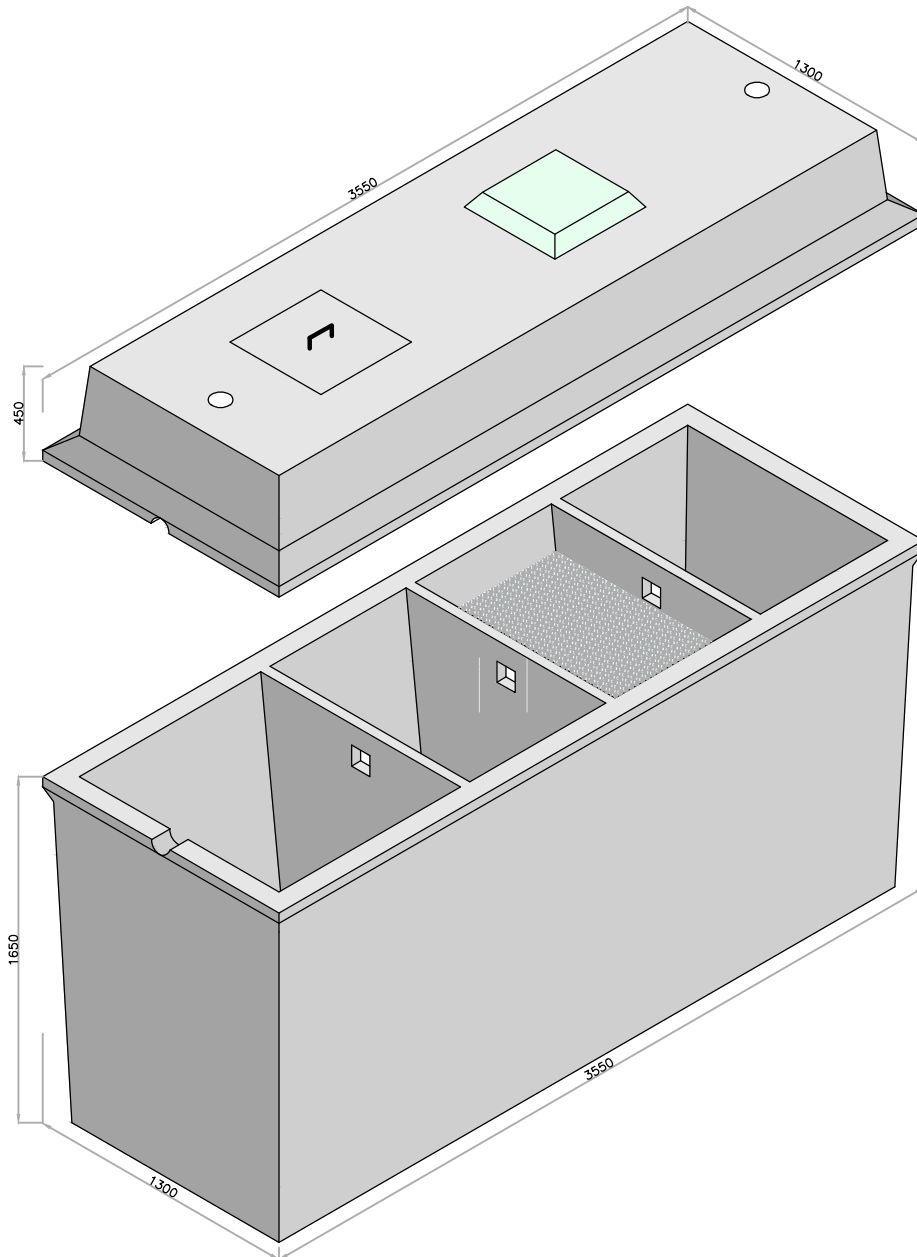


Sewage Treatment System

Kilkenny Pre-Cast Concrete



The information on these drawings is accurate at the time of website commencement. They are for guidelines only and Kilkenny Precast Concrete Ltd. reserve the right to alter these products at any time without notification